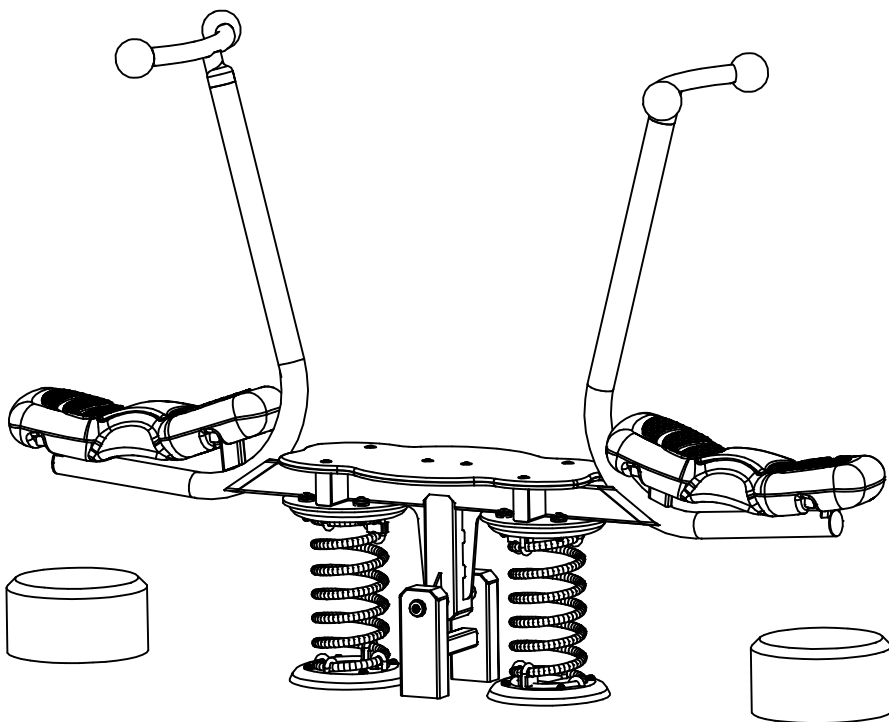
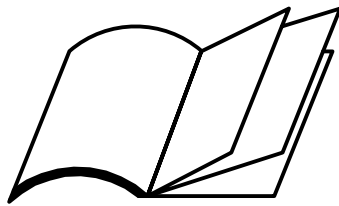
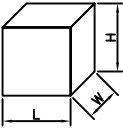
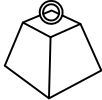
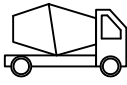
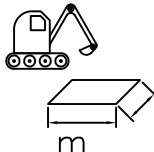
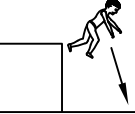




HAGS

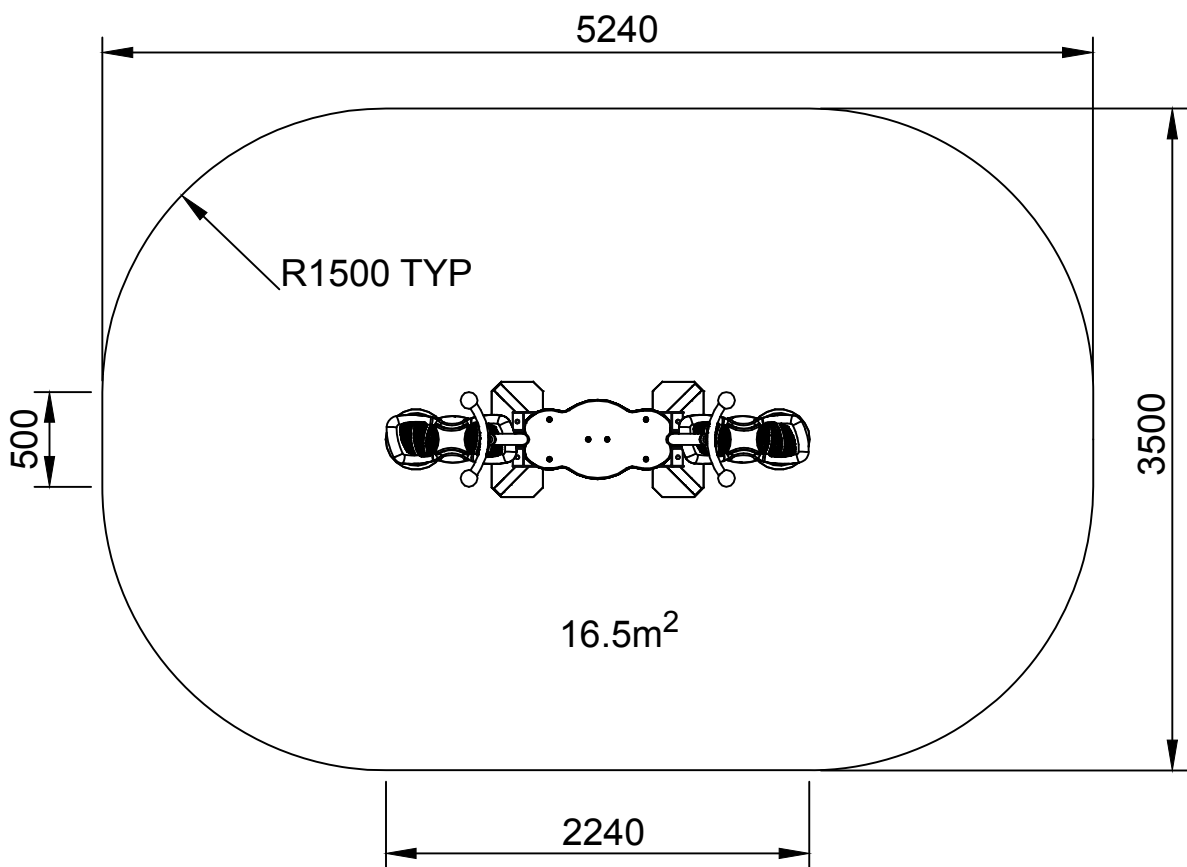
SPHOV & SPOVD NEXUS HOVER

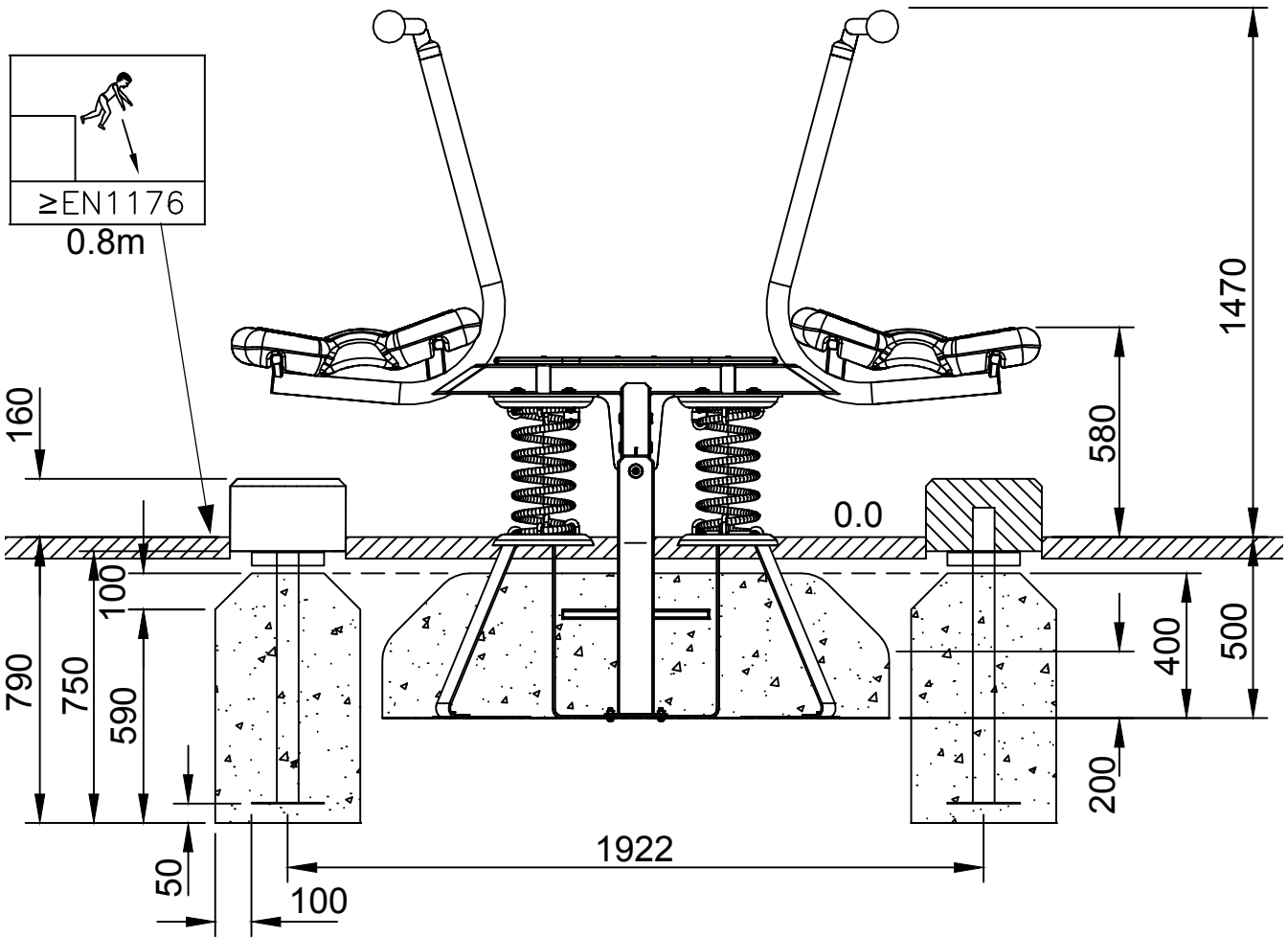
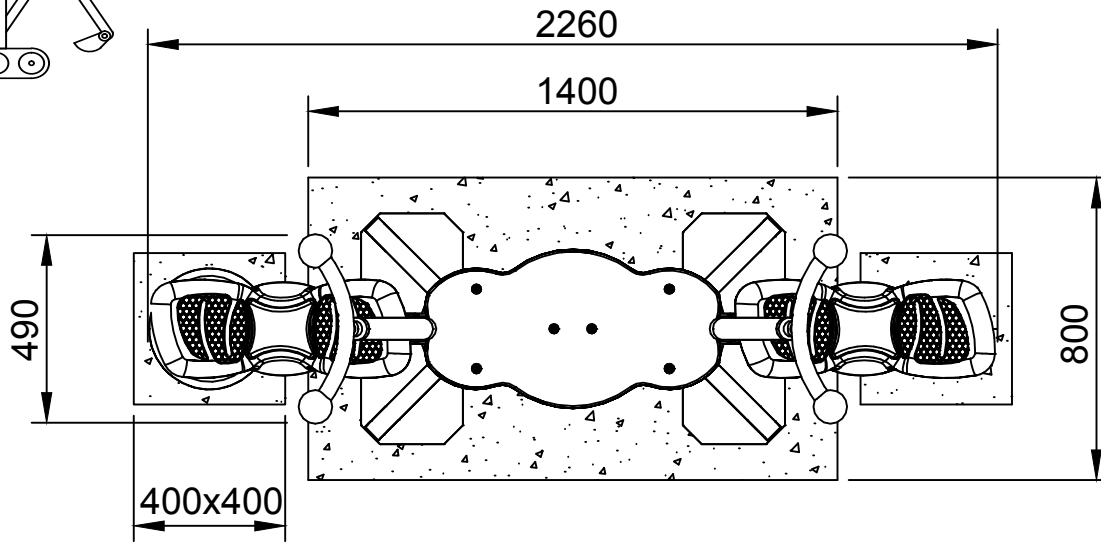
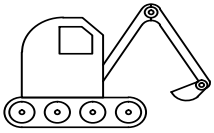




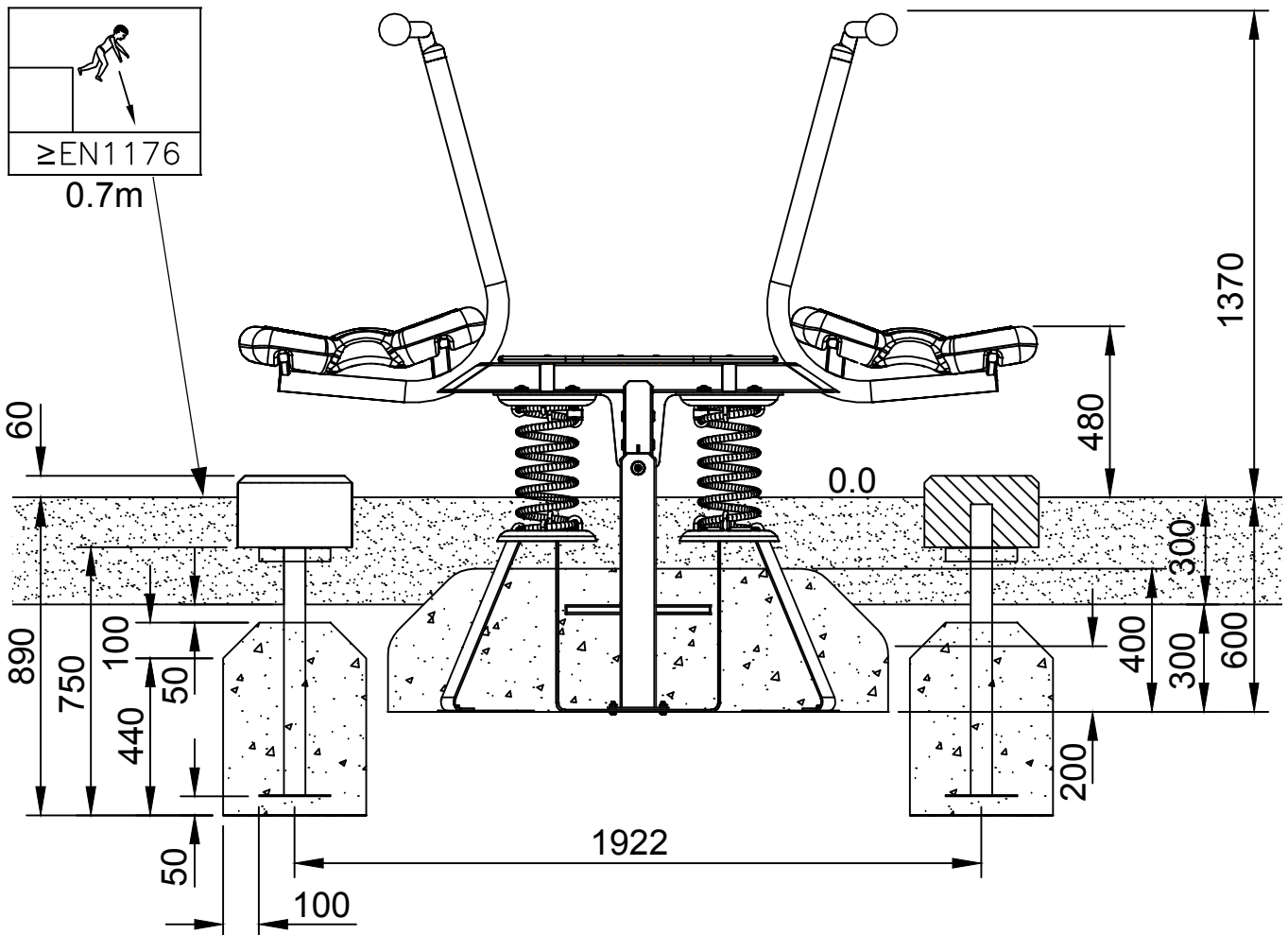
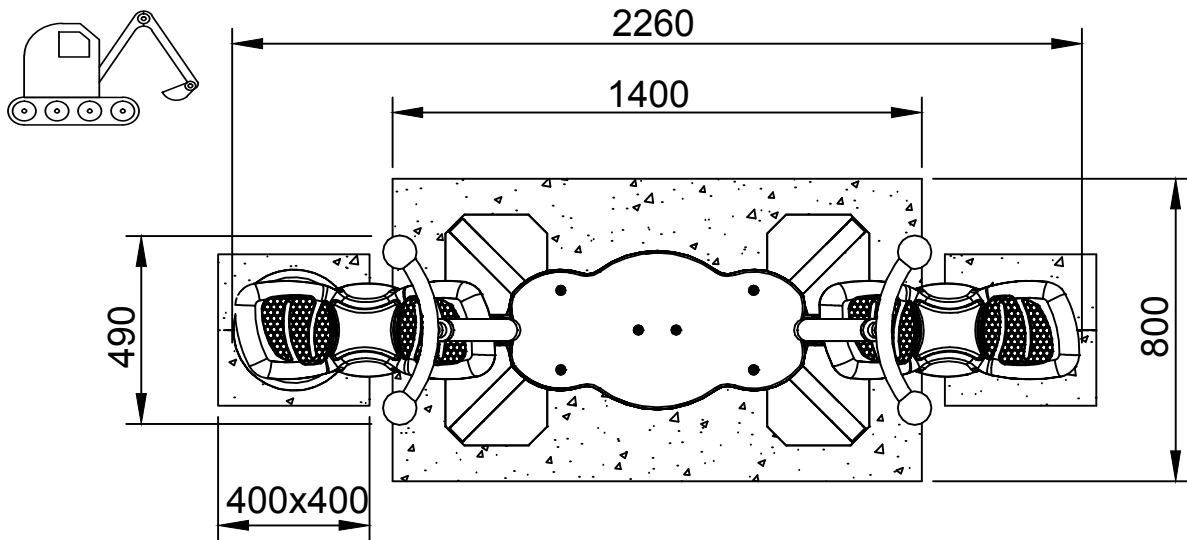
	 LxWxH (m)	 kg	 m ³	 m	 ≥EN1176	 x 2 = T
TYPE 1 & 2	2.26 x 0.49 x 1.37	148.00	0.67	6.00 x 4.00	0.7m	T=5h
TYPE 3	2.26 x 0.49 x 1.47				0.8m	

 144



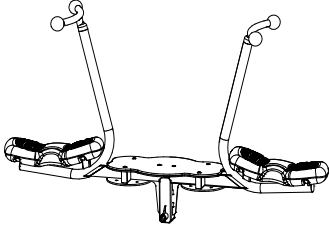


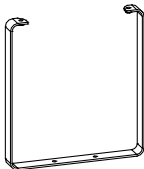
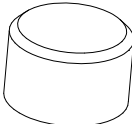
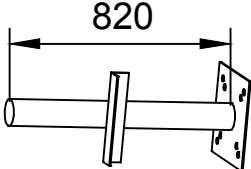
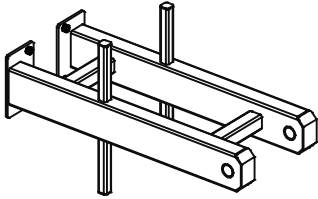

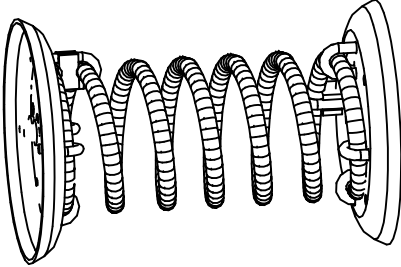


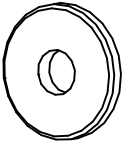
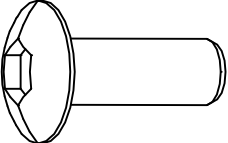
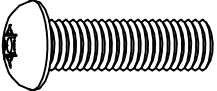
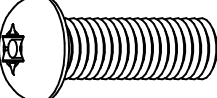
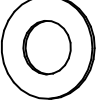
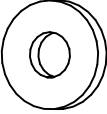
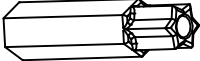


TYPE 3	144
	101



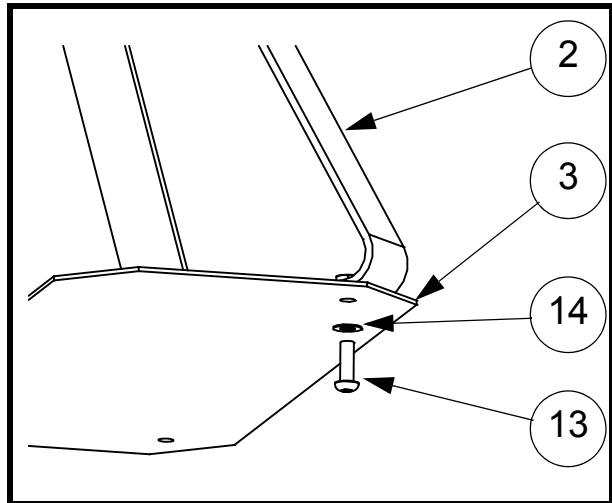
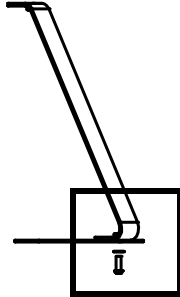
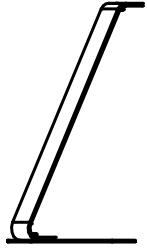
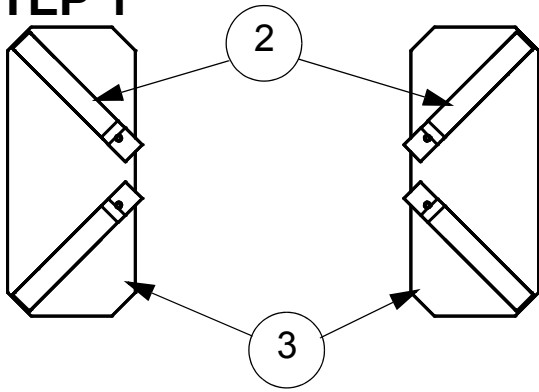
TYPE 2		144
		101

1 PARTS LIST

ITEM	REF		QTY.	kg.
1	86212005		1	53.00
2	86009002		4	1.750
3	86009001		2	2.000
4	86030003		2	4.00
5	RYBL200B		2	9.00
6	803702		2	8.00
7	86401005		1	14.00
8	86404017		1	1.15
9	56029999		2	12.50

ITEM	REF		QTY.	kg.
10	86030007		2	0.005
11	88020902		8	0.048
12	10121035	 M10 X 35	8	0.032
13	10121030	 M10 X 30	18	0.028
14	10291000	 M10 11X21X1	24	0.002
15	10291400	 M14 15X36X6	16	0.034
16	10121000	 T45 M10	2	
17	RYADHBK	  Aro-Seal 1132 Polyurethane Sealant http://www.alansonsuk.com/downloads.asp	1	

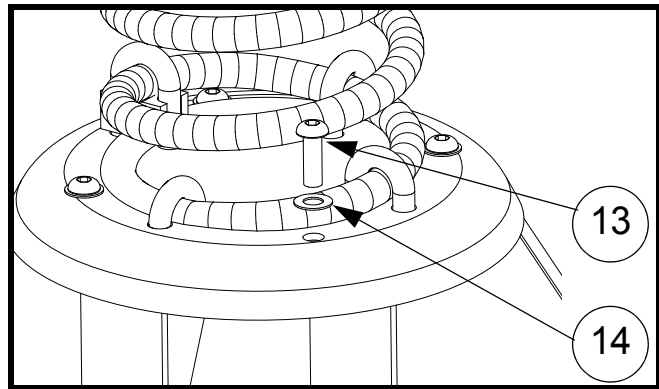
STEP 1



x 4

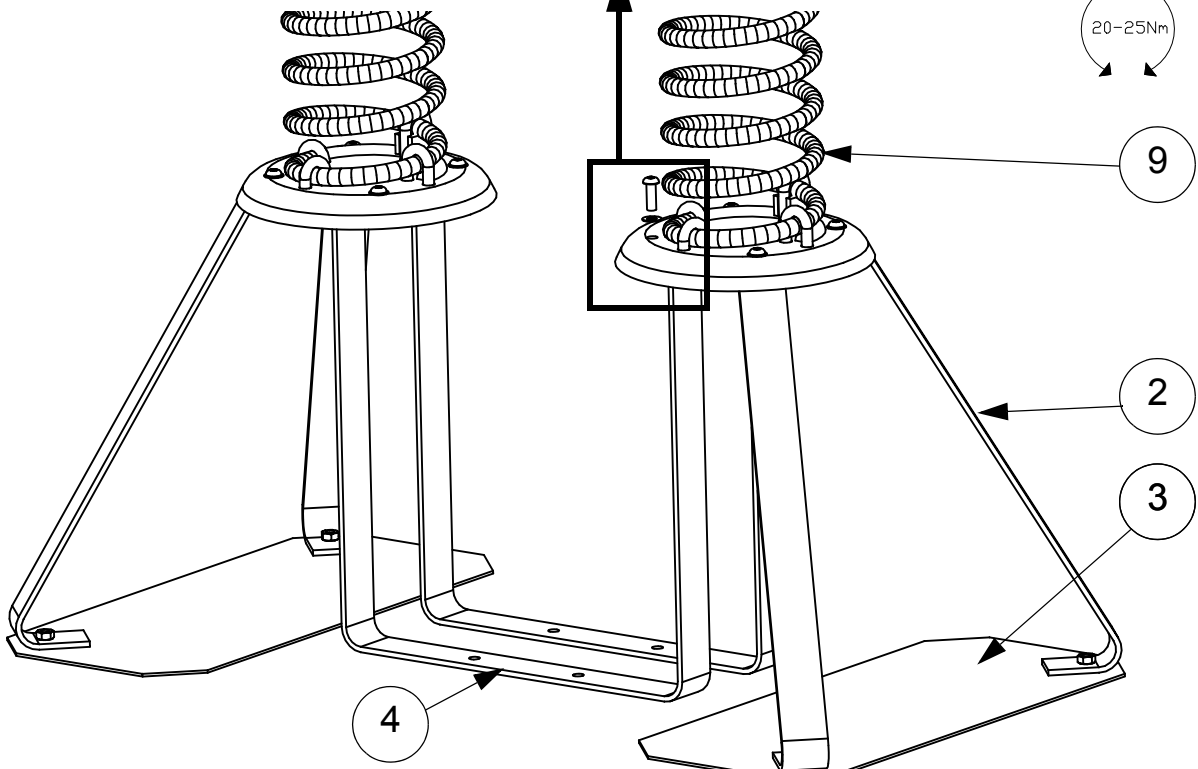
20-25Nm

STEP 2

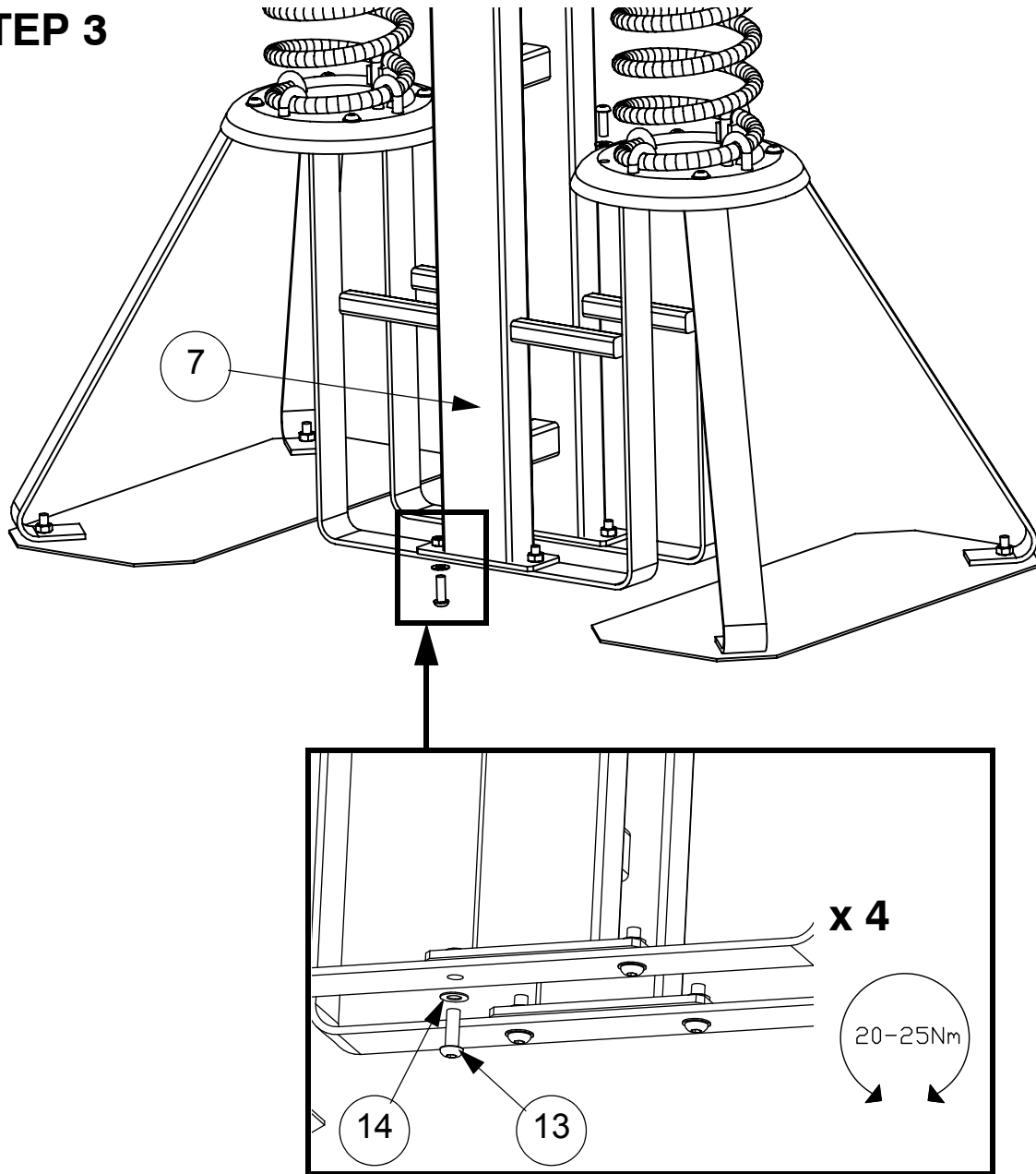


x 8

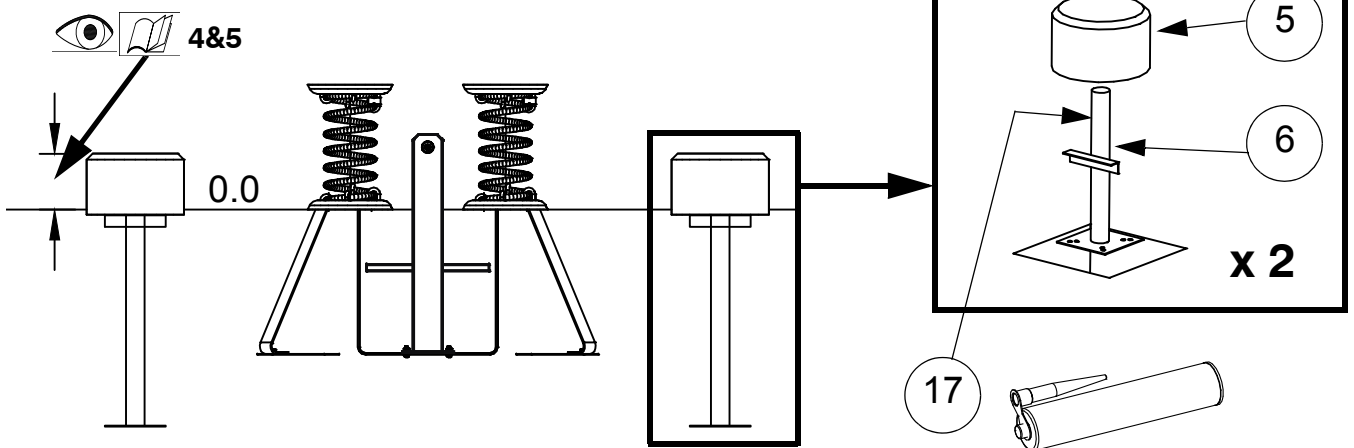
20-25Nm



STEP 3

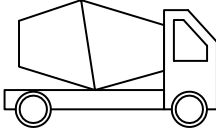


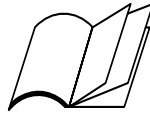
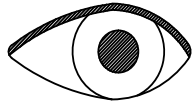
STEP 4



Aro-Seal 1132 Polyurethane Sealant Black
<http://www.alansonsuk.com/downloads.asp>

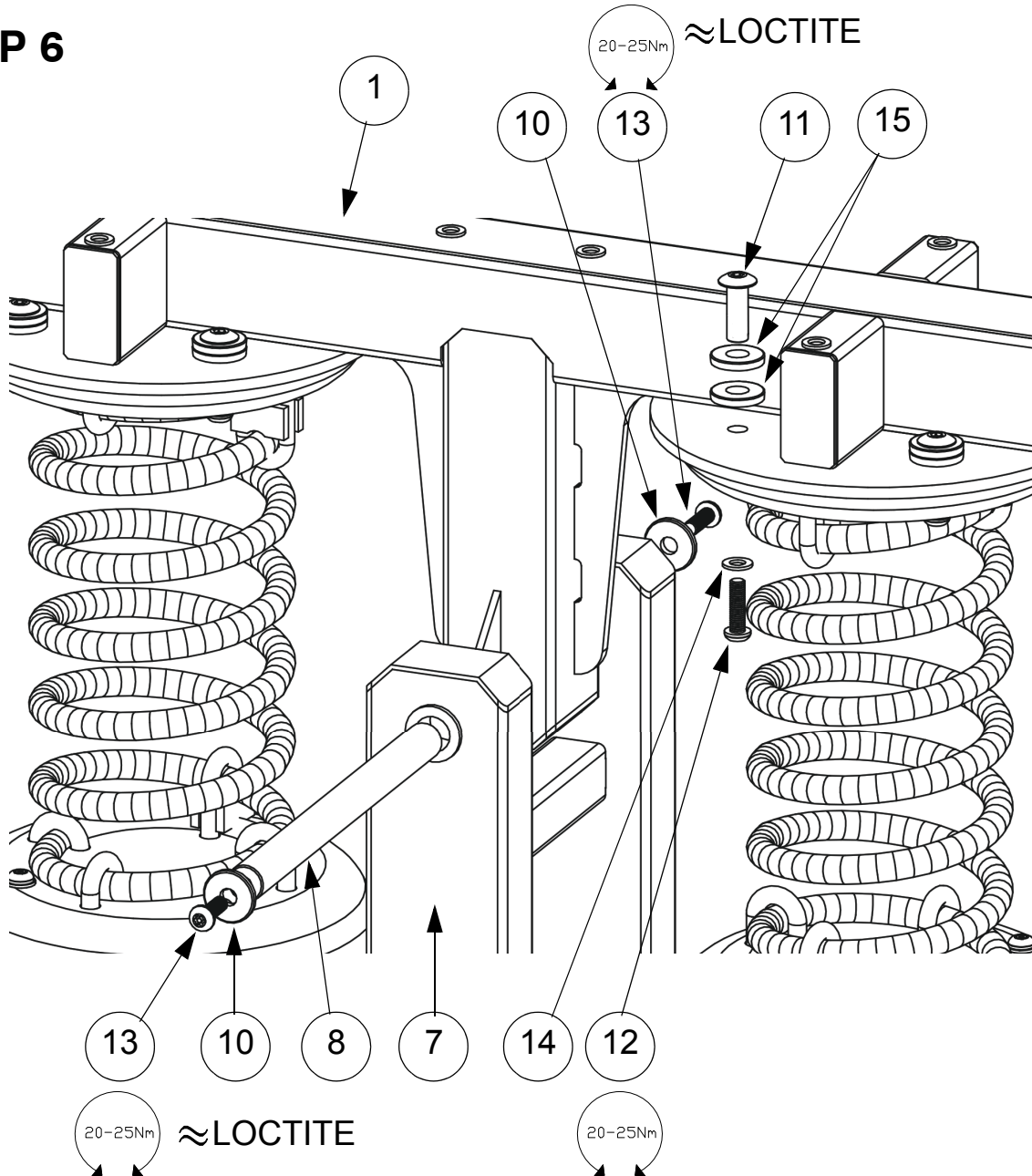
STEP 5


S2 (50mm) ≥C20-25
🕒 7 x 24h
👁️ 101



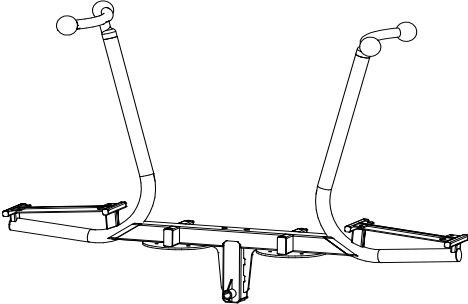
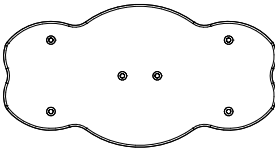
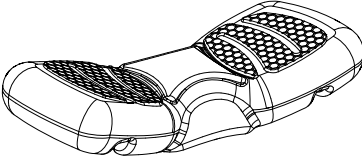
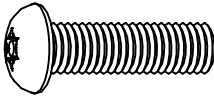
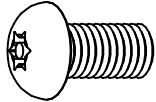
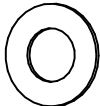
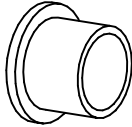
4&5

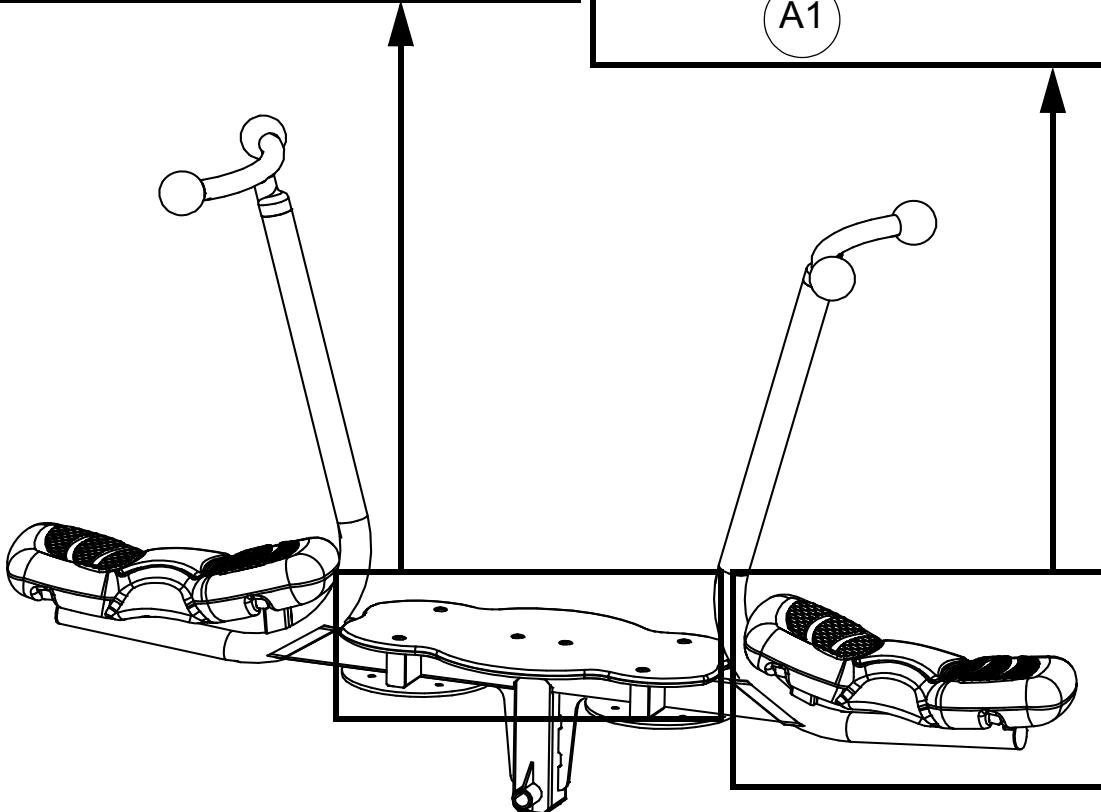
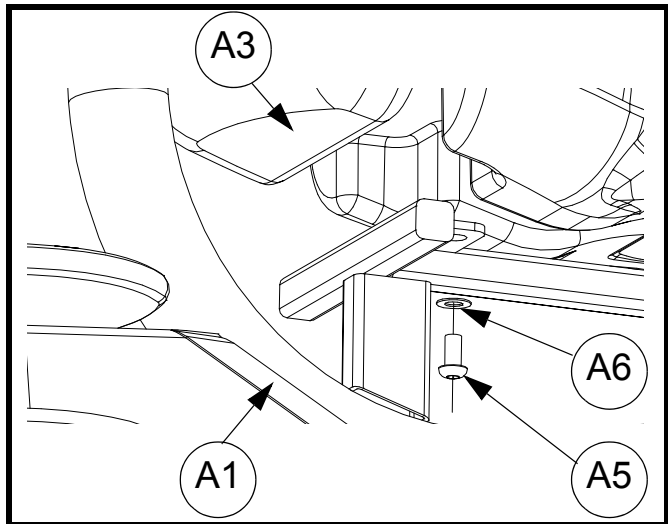
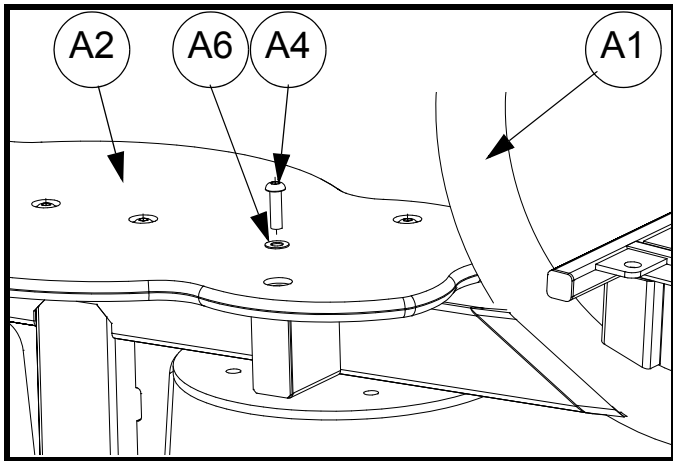
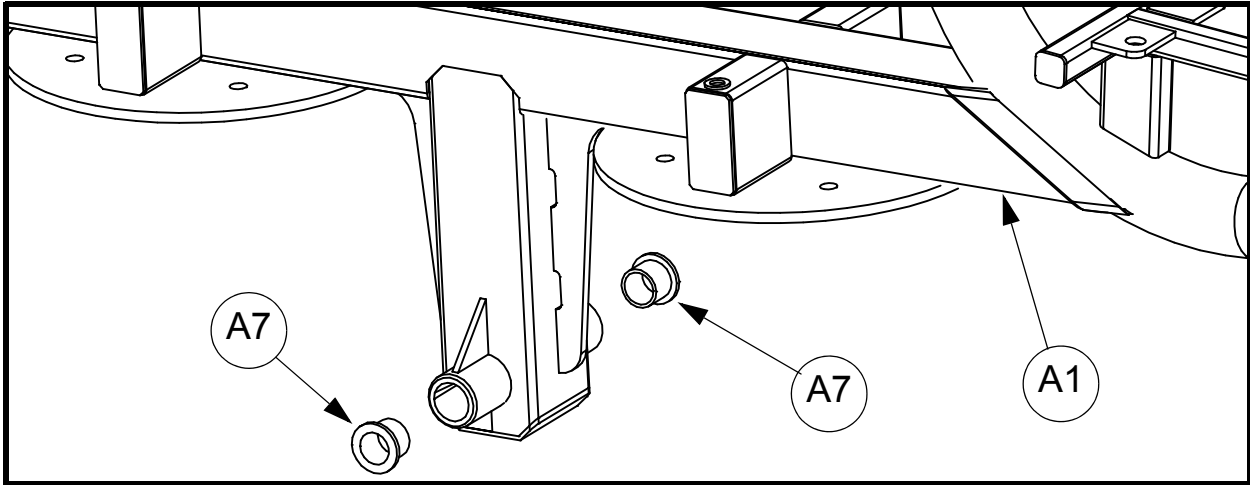
STEP 6



Appendix A:

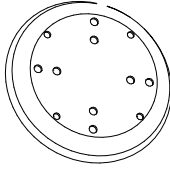
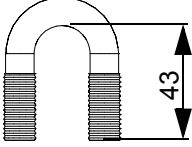


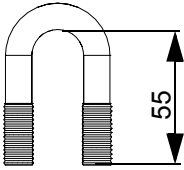
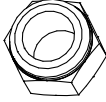
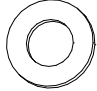
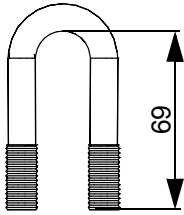
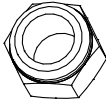
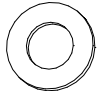
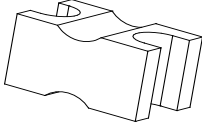
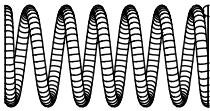
REF 86212005

ITEM	REF		QTY.	Kg.
A1	86212006		1	43.00
A2	86212102		1	3.50
A3	37001003		2	3.000
A4	10121035	 M10 X 35	6	0.032
A5	10121020	 M10 X 20	8	0.020
A6	10291000	 M10 11X21X1	14	0.002
A7	15033025		2	0.047

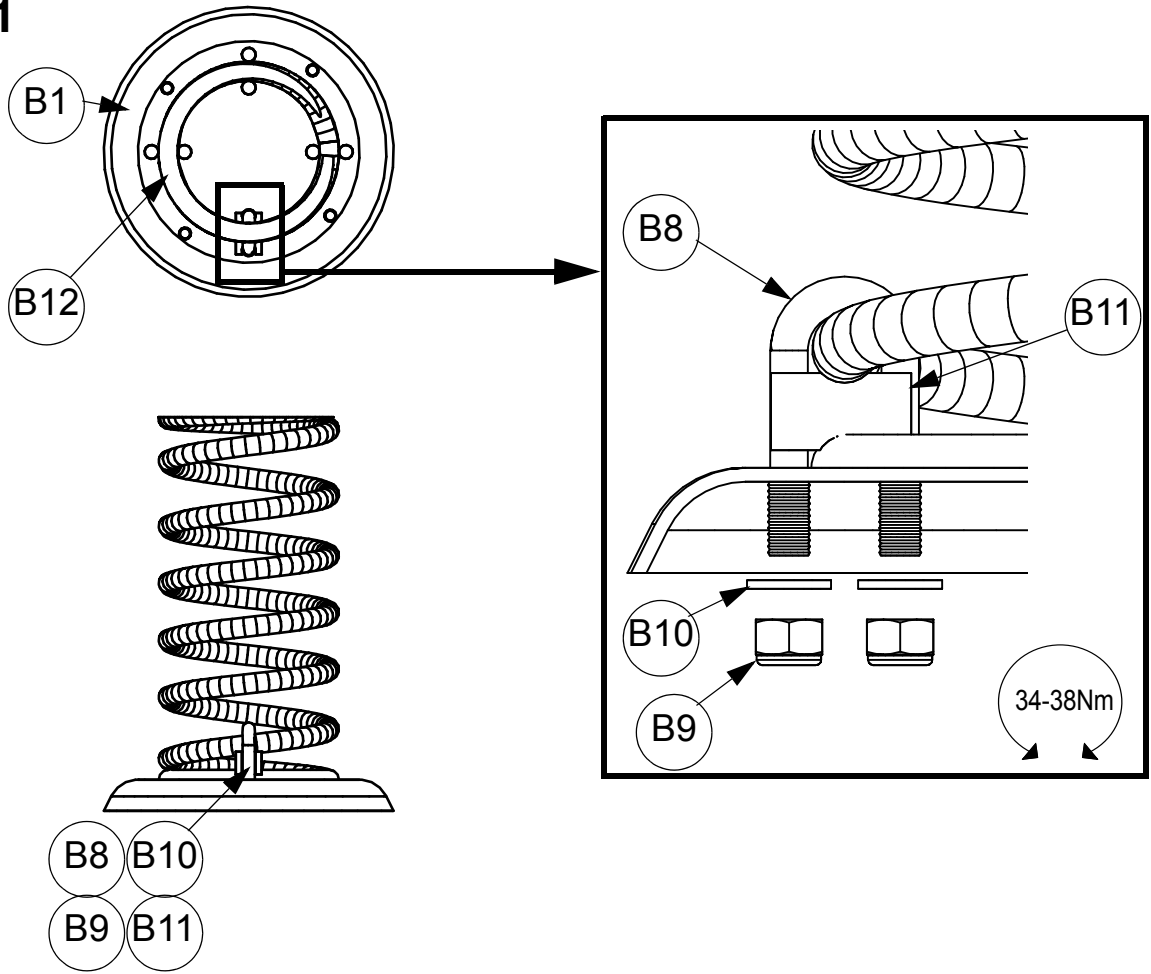


Appendix B:

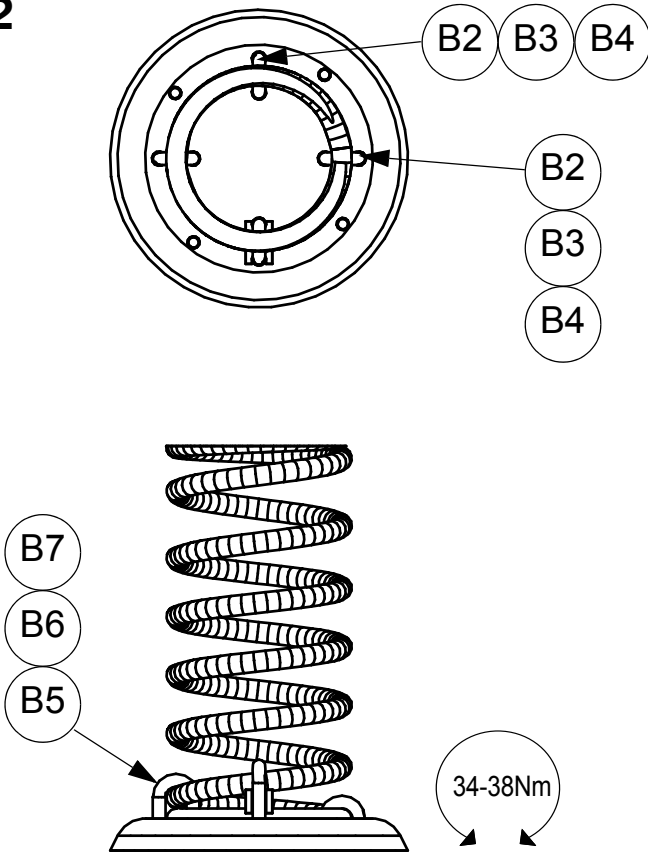
REF 56029999

ITEM	REF		QTY.	Kg.
B1	86009003		2	2.500
B2	86009006A		4	0.080
B3			8	0.010
B4			8	0.003
B5	86009006B		2	0.100
B6			4	0.010
B7			4	0.003
B8	86009006C		2	0.120
B9			4	0.010
B10			4	0.003
B11	86009007		2	0.001
B12	86009005		1	8.000

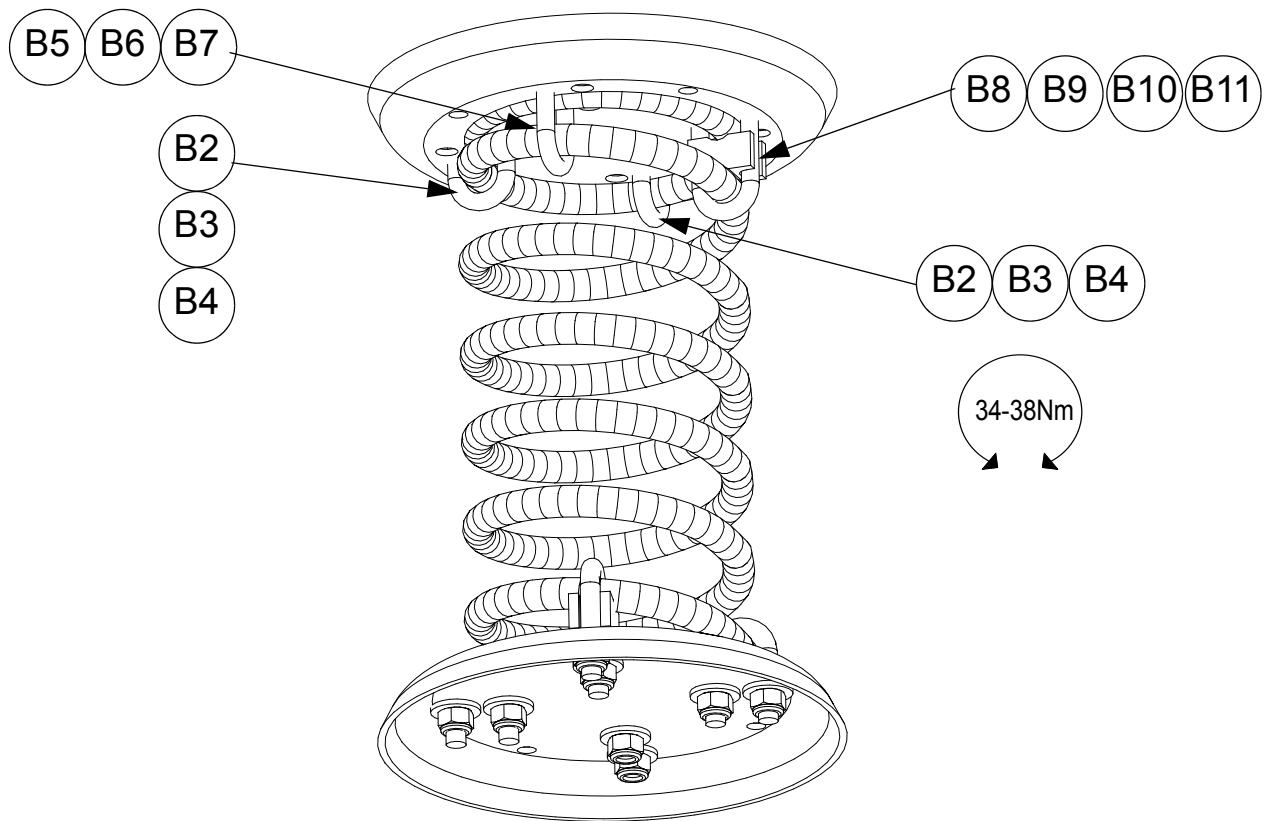
STEP 1

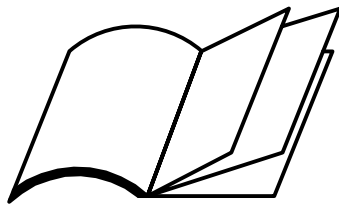


STEP 2



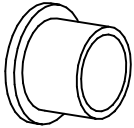
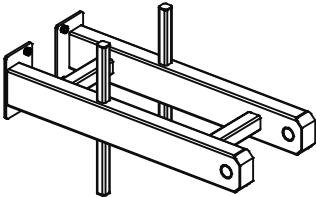
STEP 3

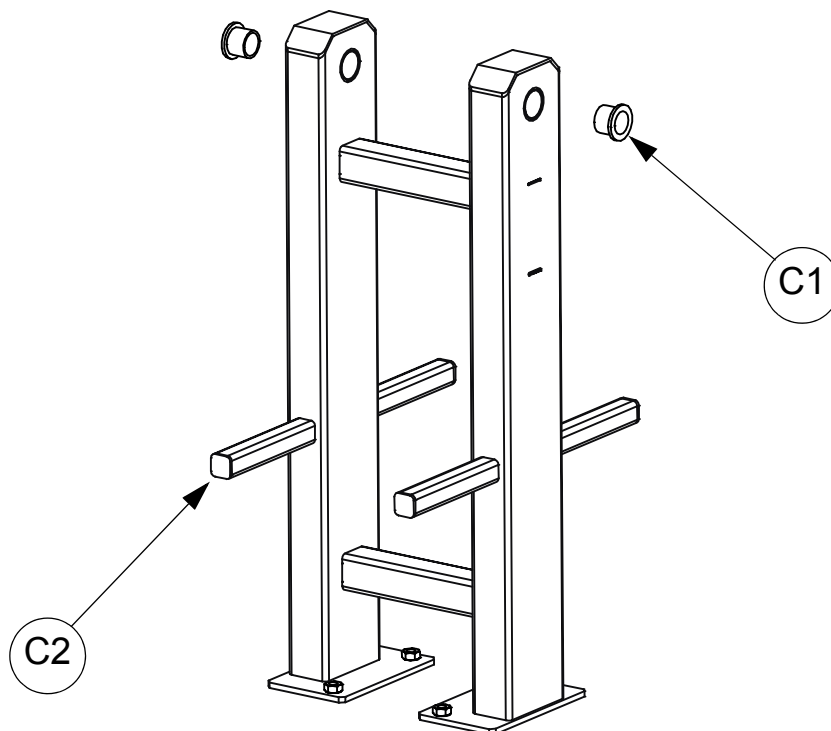




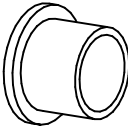
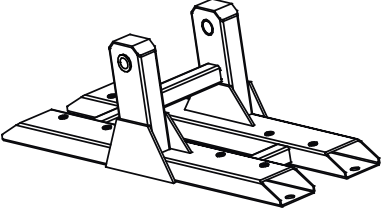
Appendix C:

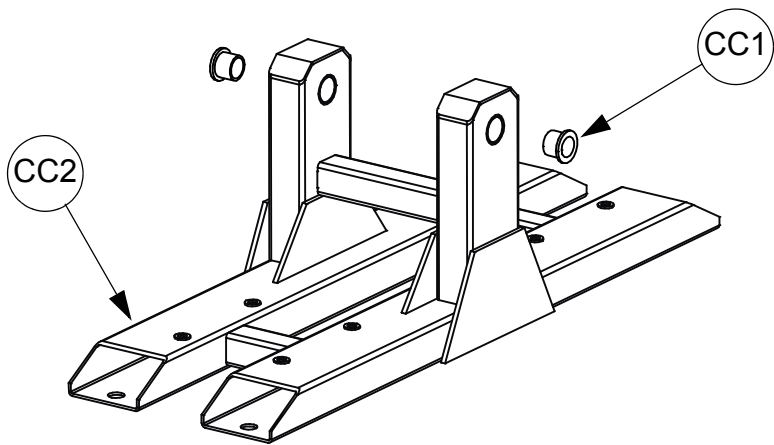
REF 86401005

ITEM	REF		QTY.	Kg.
C1	15033025		2	0.047
C2	86403005		1	14.00

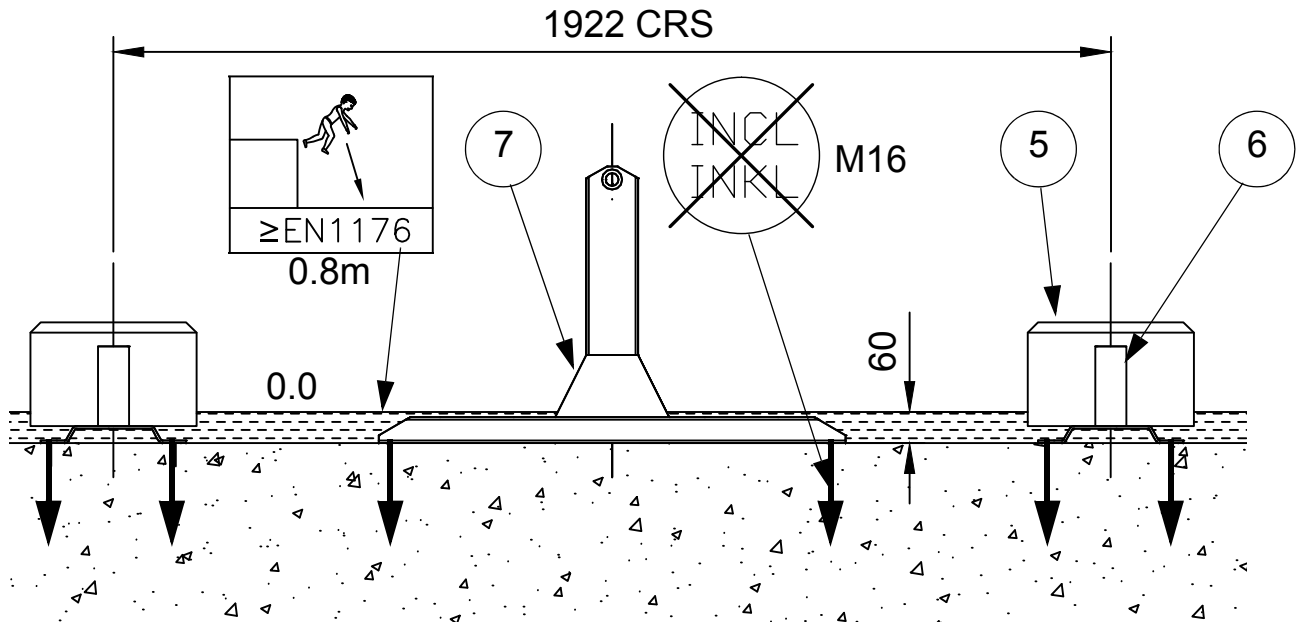


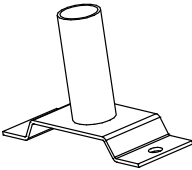
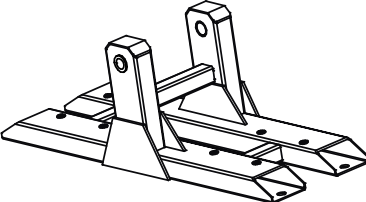
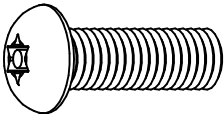
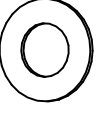
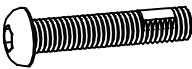
REF 86401006

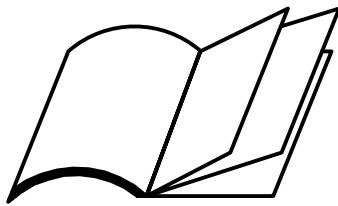
ITEM	REF		QTY.	Kg.
CC1	15033025		2	0.047
CC2	86403006		1	19.00



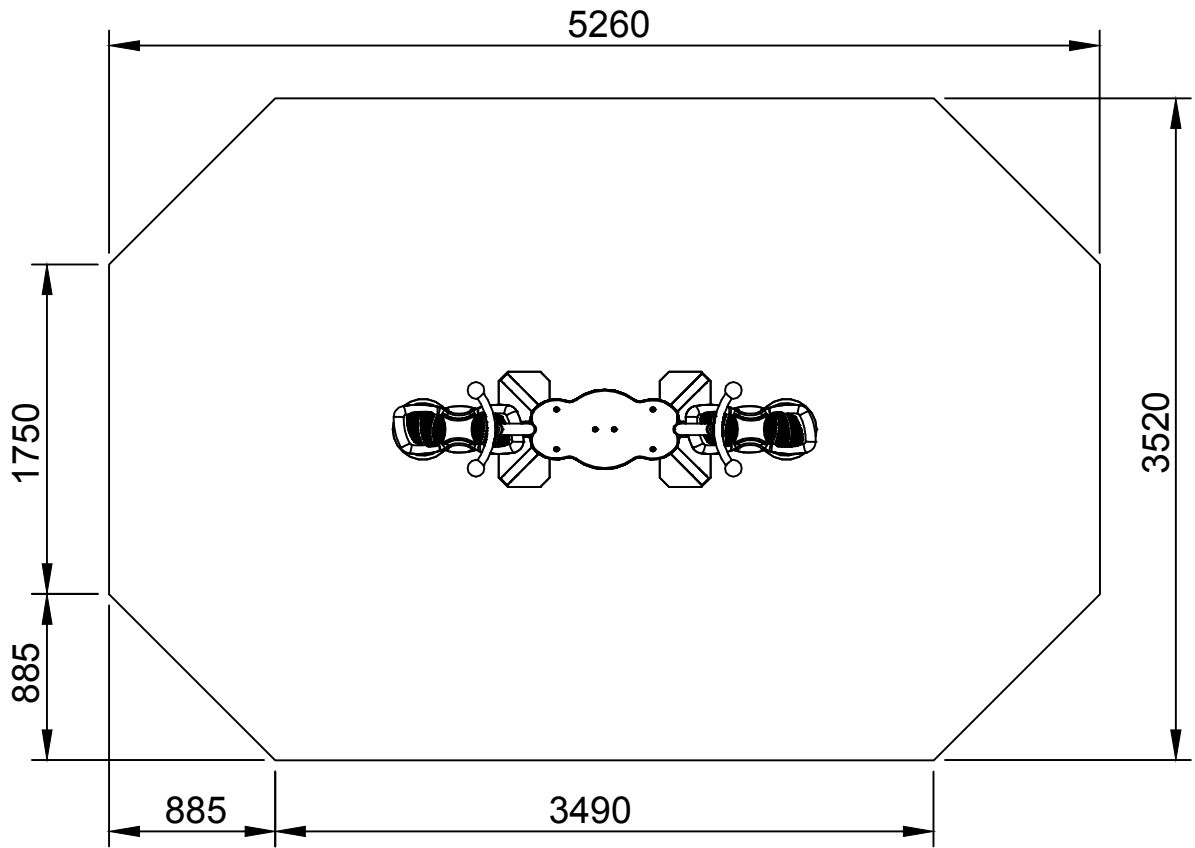
Appendix D: SPHOVD



ITEM	REF		QTY.	WEIGHT Kg.
2	86009002		0	-
3	86009001		0	-
4	86003003		0	-
6	86110010		2	2.25
7	86401006		1	19.00
13	10121030	 M10 X 30	2	0.028
14	10291000	 M10 11X21X1	16	0.002
18	10131050	 M10 X 50	8	0.045



Appendix E:



WETPOUR / LOOSEFILL TYPE 1 / 2 & 3  144

